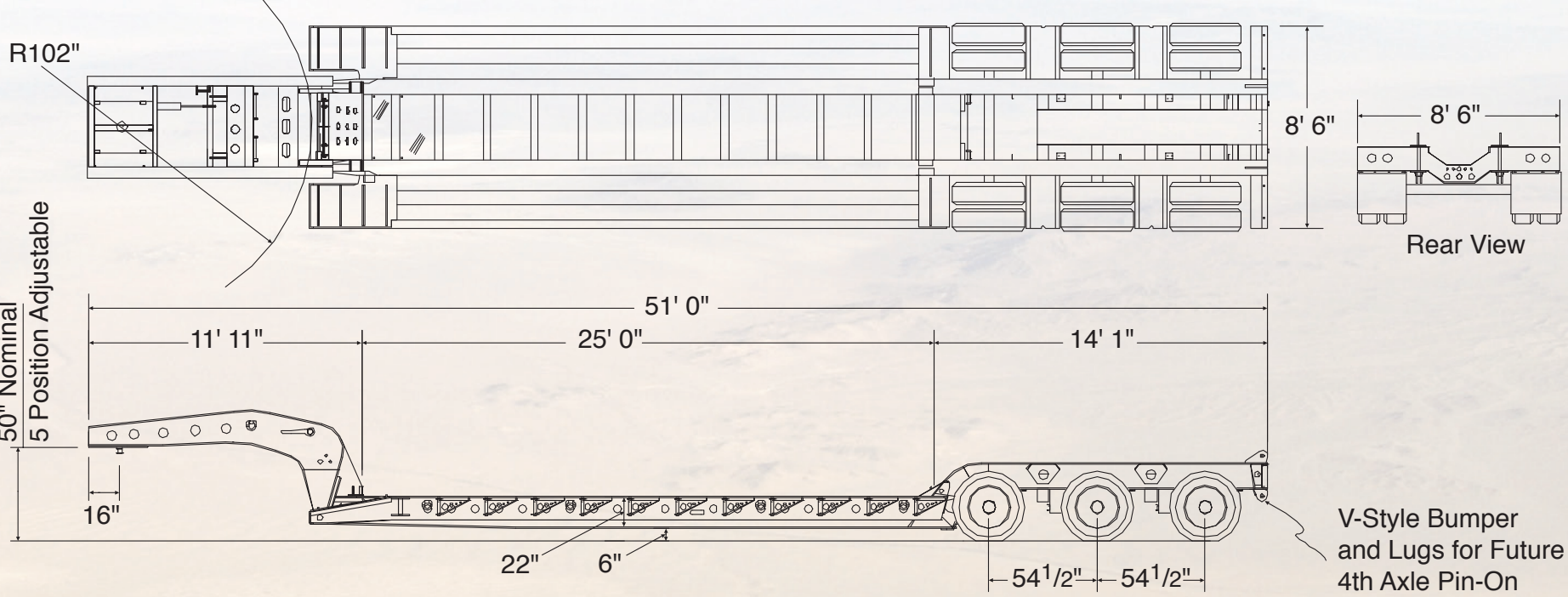


# Magnitude<sup>51</sup>



Specifications subject to change without notice.  
Photo may show some optional equipment.



Fontaine Heavy-Haul • 5398 US Highway 11 • Springville, AL 35146 • 205-467-6171 • [www.fontaineheavyhaul.com](http://www.fontaineheavyhaul.com)